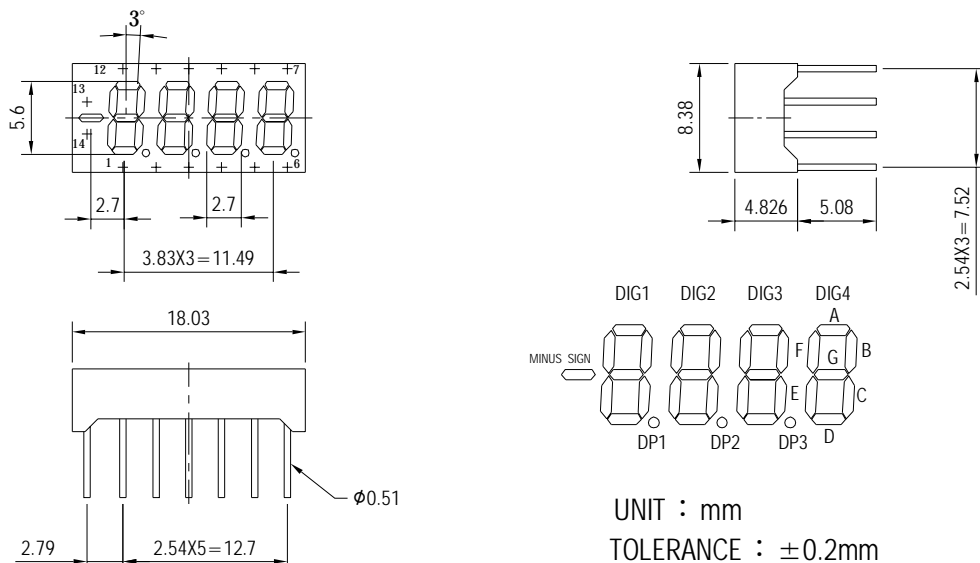
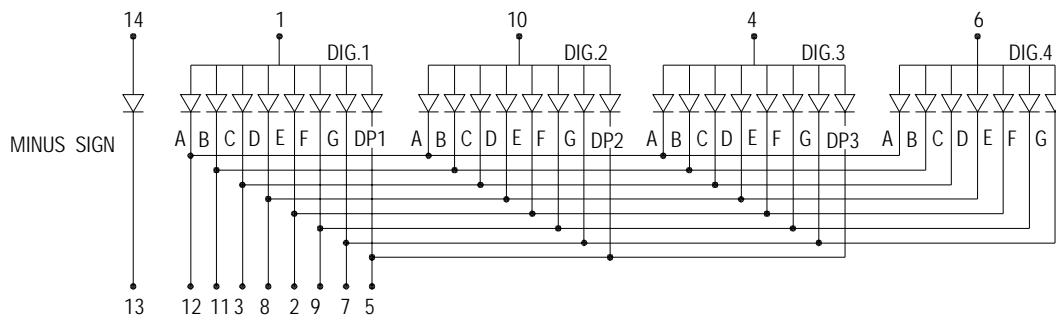


JOINSCAN LEDs

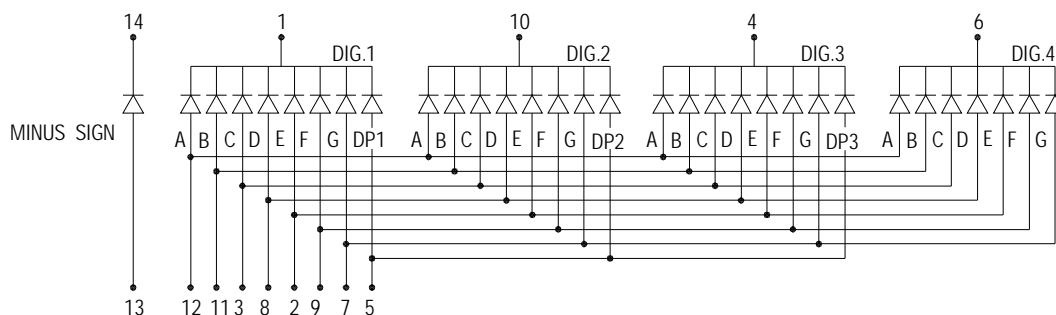
E / F2247 0.22 INCH(5.6mm) FOUR DIGITS WITH MINUS SIGN (14 PIN) POPULAR TYPE 18.03 X 8.38 X 4.826mm



A. E2247 SERIES



B. F2247 SERIES



PIN FUNCTION	COMMON ANODE			COMMON CATHODE			WAVE LENGTH (nm)	IR MAX (uA) VR=5V	VF (V) IF=20mA	LUMINOUS INTENSITY IF=20mA
	A	C	E	B	D	F				
Emitting COLOR	model no.	model no.	model no.	model no.	model no.	model no.				
GaP RED				F2247H			695	100	2.2	1.0mcd
GaAsP ORANGE RED				F2247O			635	100	2.0	10mcd
GaP Green	E2247G			F2247G			570	100	2.2	10mcd
Gap Yellow				F2247Y			600	100	2.2	8.0mcd
GaAlAs RED	E2247RS						650	100	1.8	12mcd
GaAlInp SPUER ORANGE RED	E2247OS			F2247OS			625	100	2.0	15mcd
GaAlInp SUPER GREEN	E2247GS			F2247GS			572	100	2.2	15mcd
Sic BLUE				F2247SF			465±5	100	3.6	30mcd
ZnSe WHITE										

Model No. -GW GRAY SURFACE WHITE SEGMENT

Remark :

1. Typical forward current 10-20mA , MAXimum forward current 25 mA
2. Solder Temperature 1.6mm Below Seating plane less 5 seconds at 260°C +5°C -30°C
3. Peak Foward current Per Dice , Duty cycle 1/10 , 10KHZ , MAXimum 120mA
4. Operating Temperature From -25°C to 85°C
5. RoHS COMPLIANT

REV:B